

User Guide

11n 300Mbps Wi-Fi Ceiling AP with Facebook Wi-Fi and Cloud Management

1. W312 Working Mode

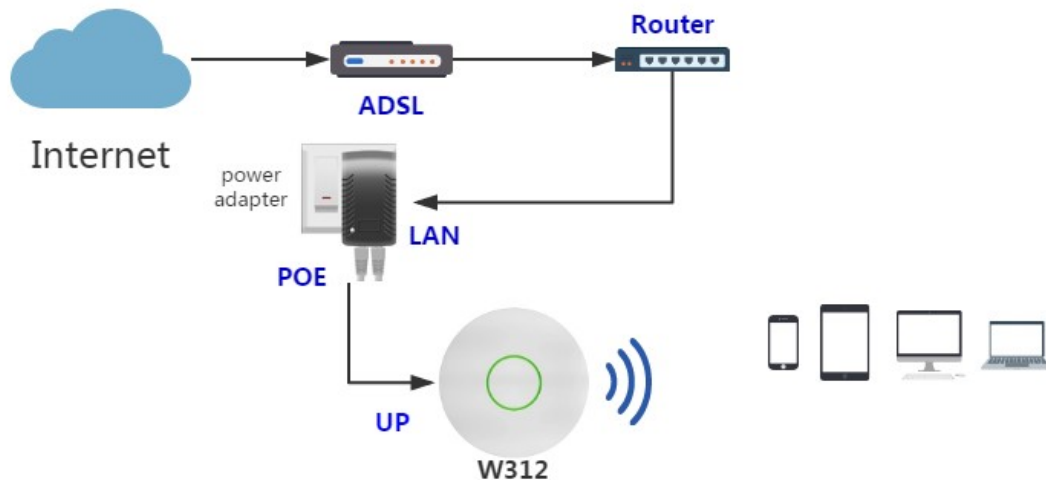
FAT (Routing Mode) support DHCP/PPPoE/Static address/PPTP/L2TP

FIT (Access Point)

S/N is unique ID for W312 to be bundled on Cloud for remote management.

2. Device Connection Diagram

W312 is working with 24V1A passive POE adapter, "LAN" on POE adapter is connected with ADSL modem/Switch/Router, "POE" ports on POE adapt connect with "UP" port on W312 . Please refer to following picture.



3. LED Indication

3.1) RED Flash slowly , No internet .

3.2) GREEN on and RED flash slowly simultaneously, power supply and data transmission is not stable. Please check UTP cable quality and RJ45 connector.

Yellow on, power supply is not enough or device problem, please check UTP cable quality and RJ45;

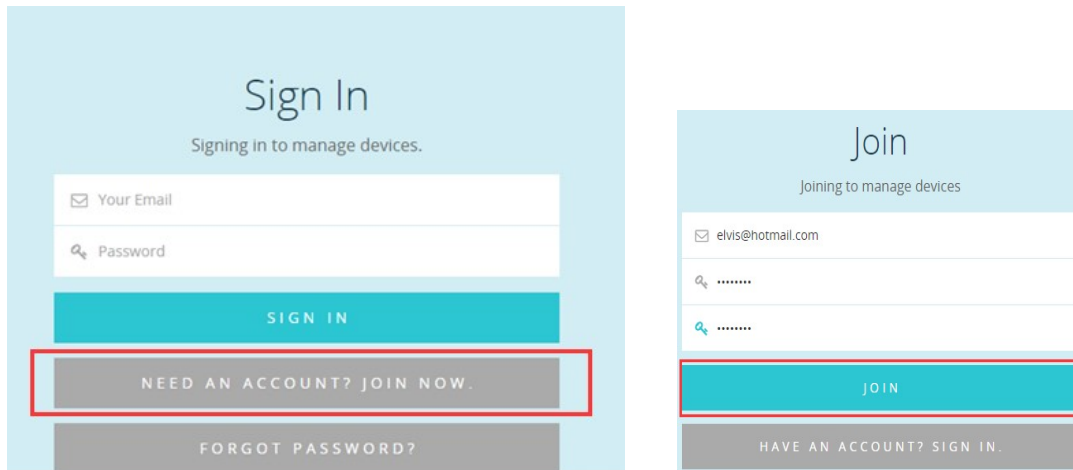
3.3) RED on, device problem

4. Cloud Management

4.1) User Login, Please use Chrome, Firefox, IE...to open
www.airpowireless.com or www.apadmin.net

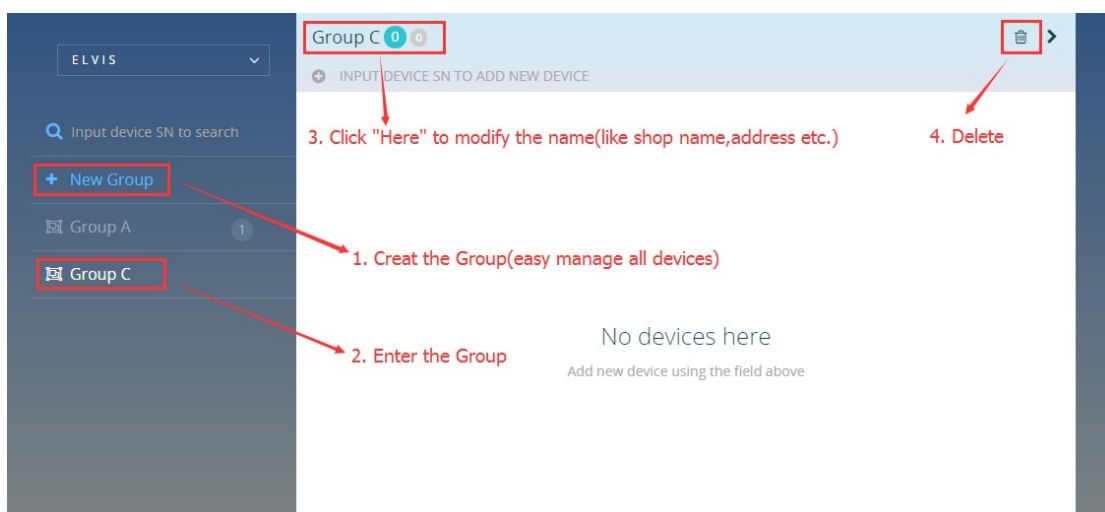
4.2) Choose "Need An Account? Join Now"

4.3) Input user name (by email address, for the way to get back password) and password, click"JOIN"

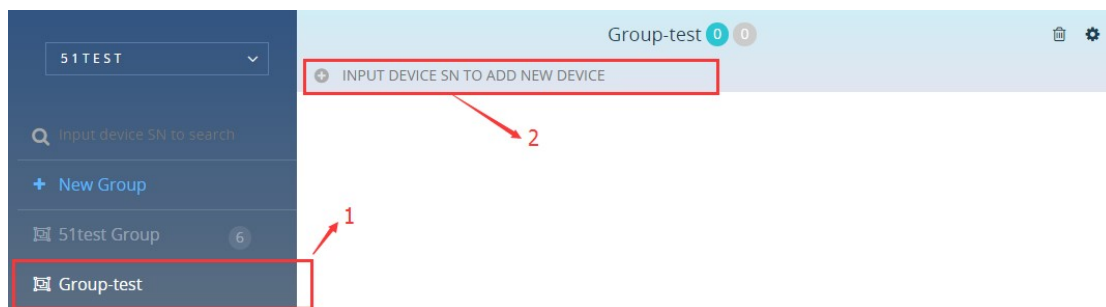


4.4) Group setting on Cloud

Group name can be the shop name or address. Easily one scene following equipment for unified management



4.5) Add devices by its SN



4.6) Device usage and management

4.6.1) Click device SN and enter into W312 device setting page, Set Wi-Fi SSID,Wi-Fi Encryption,Wi-Fi Key

4.6.2)Suggested user to change "System Password"

5. Facebook Wi-Fi Setting

5.1) Enable Facebook Wi-Fi

5.1.1) In Cloud group setting "Guest Wi-Fi Configuration"

5.1.2)"Guest Wi-Fi Enable" choose "Enable"

5.1.3)"Wi-Fi SSID" SSID setting

5.1.4)"Wi-Fi Encryption" suggests "No Encryption"

5.1.5) If in FAT mode , goes to device management ,enable "Facebook Wi-Fi Configuration" , then Click here to Facebook page

5.2) Facebook page setting

Choose your account name in Facebook page

In "Bypass Mode" , it can choose "skip check-in link" or need the Wi-Fi code, to escape the check in.

After "Check in", it can setting the Internet access time, Wi-Fi service from 30 minutes to the 24 hours. The terms of service can set the public legal services in terms of Wi-Fi.

Facebook Wi-Fi Configuration

0000E0A000B16D

Facebook Page

To use Facebook Wi-Fi you need to be the admin of a local business Page that has a valid location associated with it.

Airpotech ▼

Bypass Mode

Your customers always have the option to skip checking in. They can do this by clicking on a link that lets them skip check-in, or by entering a Wi-Fi code that you provide to them.

- Skip check-in link [?]
- Require Wi-Fi code [?]

Session Length

Select the length of time your customers will have Wi-Fi for after they check in.

Five hours ▼

Terms of Service

- Optional: Add your own Terms of Service [?]

[Visit Help Center](#)

[Save Settings](#)